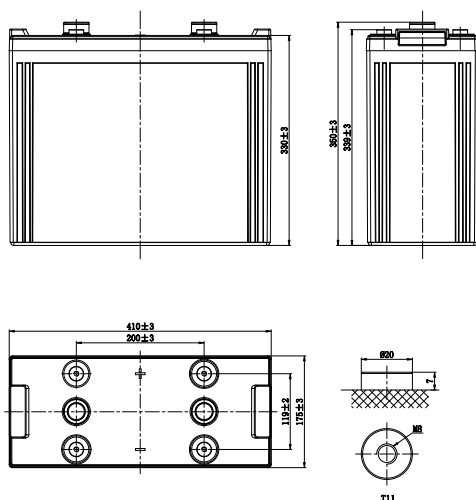


LP SERIES-GENERAL PURPOSE

LP2-800 (2V800Ah)



CHARACTERISTICS

Item	Specifications	
Rated Voltage	2V	
Nominal Capacity (25°C)	C ₁₀ , 1.80V/cell	800Ah
Dimension	Length	410mm (16.1inches)
	Width	175mm (6.89inches)
	Container Height	330mm (13.0inches)
	Total Height	350mm (13.8inches)
Approx Weight	47.4kg (104.5lbs)	
Terminal	T11(M8)	
Container Material	ABS (UL94 HB or V-0 optional)	
Short-circuit current	8800A	
Internal Resistance (25°C)	Approx 0.4 mΩ (Fully charged)	
Operating Temp. Range	Discharge	-15~50°C (5~122°F)
	Charge	-20~40°C (-4~104°F)
	Storage	-15~40°C (5~104°F)
Nominal Operating Temp. Range	25±3°C (77±5°F)	
Max. Charging Current (25°C)	0.3C	
Charge voltage (25°C)	Standby Use	Cycle Use
	2.25-2.30V/cell	2.35-2.40V/cell
Temp. Coefficient	-3mV/cell/°C	
	-5mV/cell/°C	
Effect of temp. to Capacity	40°C (104°F)	103%
	25°C (77°F)	100%
	0°C (32°F)	86%
Self Discharge	≤3% per month at 25°C (77°F). LP series batteries may be stored up to 6 months at 25°C (77°F) and then a freshening charge is required. For higher temperatures the time interval will be shorter.	

DISCHARGE TABLE

Constant Current Discharge (Amperes) at 25°C (77°F)														
F.V/Time	15min	20min	30min	45min	1h	1.5h	2h	3h	4h	5h	6h	8h	10h	20h
1.85V/cell	594.6	533.4	493.9	431.4	377.6	297.7	244.3	187.2	150.6	127.1	110.3	89.7	75.0	40.2
1.80V/cell	712.1	629.1	567.2	482.5	417.9	325.8	259.1	202.6	162.3	136.9	118.3	96.0	80.0	42.4
1.75V/cell	818.2	686.4	593.5	502.1	440.2	336.7	271.0	208.0	166.4	140.0	120.8	97.7	81.2	42.9
1.70V/cell	911.9	769.4	641.6	521.1	449.2	348.1	278.0	214.1	170.6	143.2	123.4	99.5	82.5	43.5
1.67V/cell	944.3	796.3	649.3	532.8	458.6	354.4	279.0	217.3	173.0	145.0	124.9	100.5	83.2	43.8
1.60V/cell	992.4	830.2	661.4	560.3	481.0	370.2	292.6	225.3	178.7	149.4	128.4	102.9	85.0	44.6
Constant Power Discharge (Watts/cell) at 25°C (77°F)														
F.V/Time	15min	20min	30min	45min	1h	1.5h	2h	3h	4h	5h	6h	8h	10h	20h
1.85V/cell	1068.0	979.7	907.0	836.5	734.0	580.6	476.1	367.1	296.0	250.2	217.5	177.2	148.4	79.9
1.80V/cell	1264.7	1143.8	1032.7	928.6	806.8	631.6	500.5	395.6	317.9	268.7	232.7	189.3	158.1	84.2
1.75V/cell	1437.0	1235.4	1071.2	958.9	830.7	648.9	520.0	404.4	324.6	273.9	236.9	192.4	160.3	85.2
1.70V/cell	1582.3	1370.2	1129.8	987.4	855.3	666.8	528.8	414.3	331.6	279.9	241.4	195.4	162.5	86.2
1.67V/cell	1604.3	1400.8	1149.7	1004.6	869.0	676.2	538.8	419.4	335.4	282.2	243.9	197.1	163.8	86.8
1.60V/cell	1677.6	1444.5	1160.9	1045.3	902.7	700.6	557.8	432.3	344.8	289.6	249.7	201.2	166.8	88.3

LP SERIES-GENERAL PURPOSE

LP2-800 (2V800Ah)



APPLICATIONS

- Tele-communication central station (wired or cellular)
- Power system communication, military communication, etc.
- Network communication including: data transmission, television signal transmission, etc.
- Uninterruptable Power System (UPS - for Telecom)

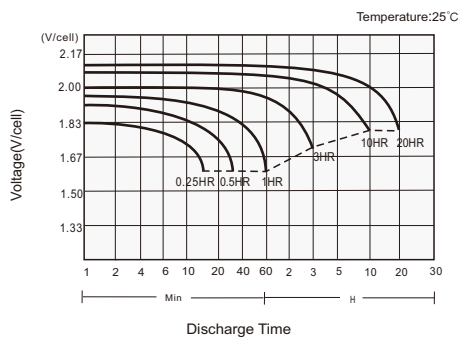
GENERAL FEATURES

- 15 years design life (25°C)
- Lead calcium alloy, sealed design, no watering required
- Puncture resistant micro-porous glass mat separators extend life
- Unique technology optimizes power capacity, cell consistency, and long-term reliability
- Designed for a wide range of applications

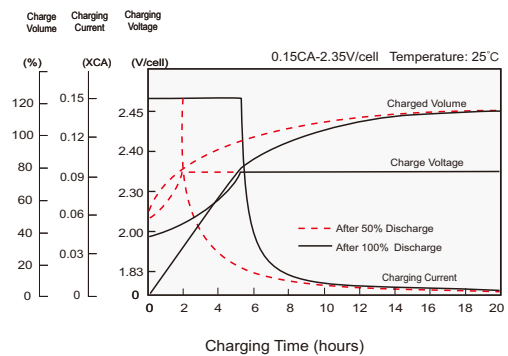
STANDARDS

- Compliance with IEC 60896 standards, EU Battery Directive
- UL, CE Approved
- Manufactured in Leoch@IATF 16949, ISO 45001, ISO 9001 and ISO 14001 certified production facilities

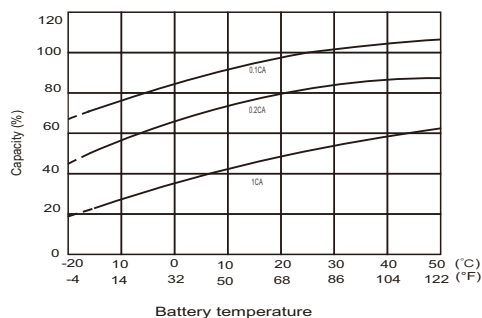
Discharge Characteristics



Charging Characteristics



Effects of Temperature on Capacity



Self Discharge Characteristics

