



DEEP CYCLE



LDC6-224-GC2

FEATURES&BENEFITS

- True deep cycle AGM-GEL technology-GREEN SOLUTION
- Over 99.99% virgin lead for grid plate
- Carbon active material
- Electrolyte + Gel for longer cycle life
- Heavy duty grid/paste design for deep cycle application
- Maintenance free, non-spillable, valve-regulated
- Double separator configuration :long cycle life &High energy density and super anti-vibration design
- Low self-discharge for longer shelf life



ELECTRICAL SPECIFICATIONS

Voltage (V)	Capacity(Ah)					Reserve Capacity(min)		
	100HR	20HR	10HR	5HR	3HR	25A	56A	75A
6	246	224	210	192	173	490	188	135

PHYSICAL SPECIFICATIONS

Dimensions(mm/inches)				Weight (kg/lbs)	Terminal Type (Standard)	Case Material
Length	Width	Height	Total Height			
260/10.24	180/7.09	247/9.72	253/9.96	30.5/67.3	T11(M8)	ABS

Operating Temperature Range		
Discharge	Charge	Storage
-20°C~55°C(-4°F~131°F)	0C~40°C(32°F-104°F)	-15°C~40°C(5°F~104°F)



IATF16949

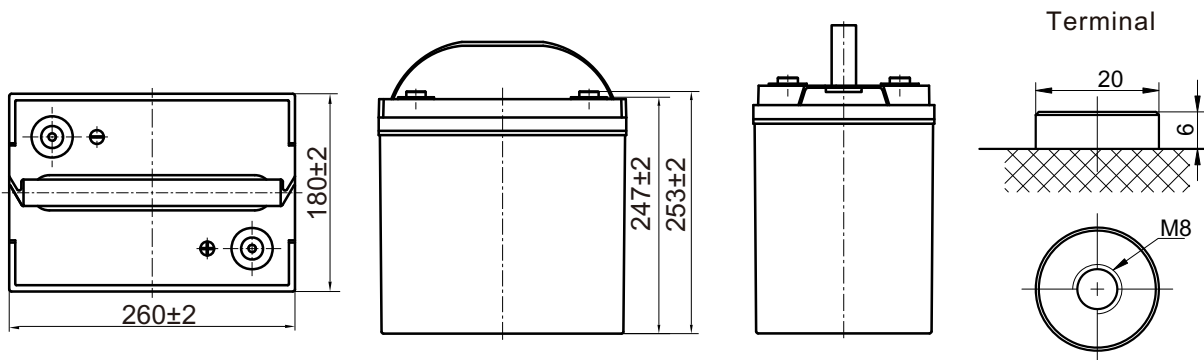
ISO14001

ISO9001

LDC6-224-GC2

DEEP CYCLE AGM-GEL BATTERY

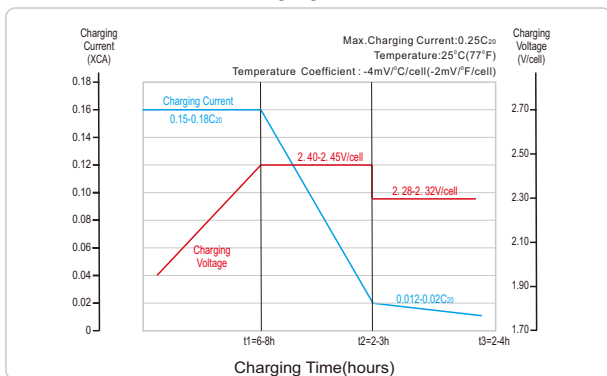
DIMENSIONS



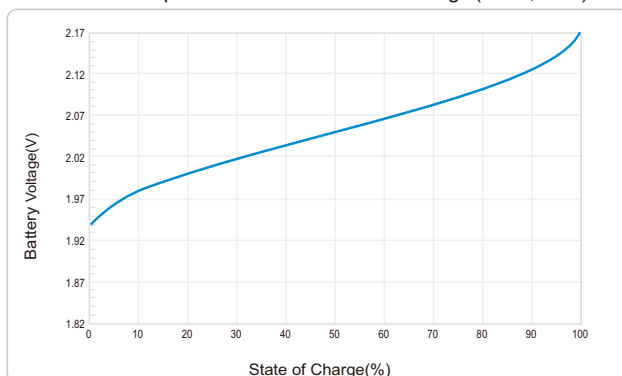
Note: Terminal Torque Values in-lb(Nm):97.28-130.0(11-14.7)

PERFORMANCE CHARACTERISTICS

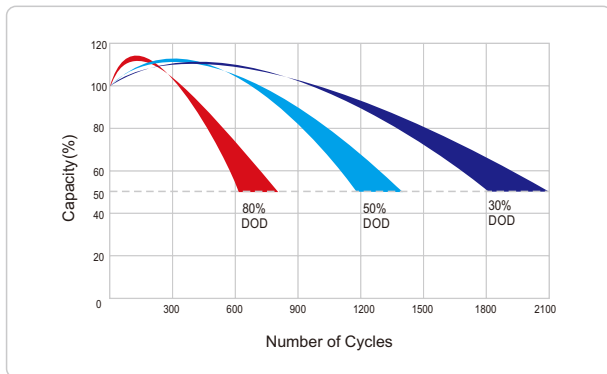
Charging Profile



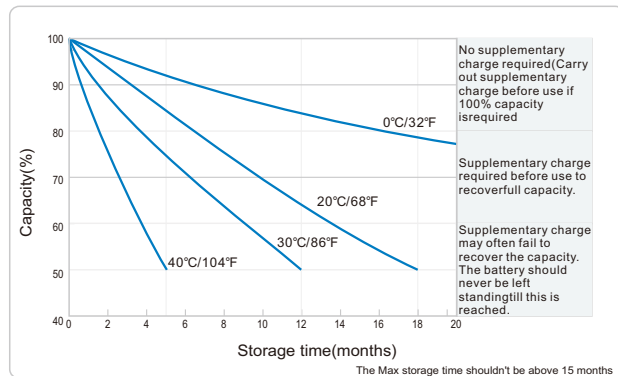
Relationship of OCV and State Of Charge(25°C, 77°F)



Cycle Life in Relation to Depth Of Discharge



Self-discharge Characteristic



LEOCH INTERNATIONAL SALES OFFICE:

Add:14th Floor, Block A, Building 6,
Zhonggang Plaza, Exhibition Bay, Shenzhen, China.
Tel:+86-755-86036060(100 lines)
E-mail: export@leoch.com
web: www.leoch.com